



Tubular angle terminals with inspection hole, K45Ro type

FEATURES & BENEFITS

 ring terminal Cu, standard, with galvanic tin plating and 45 degrees angle terminal fixture

 description of cable cross-section and terminal size on fin surface

MECHANICAL DATA

Material	Cu
Surface	tin-plated

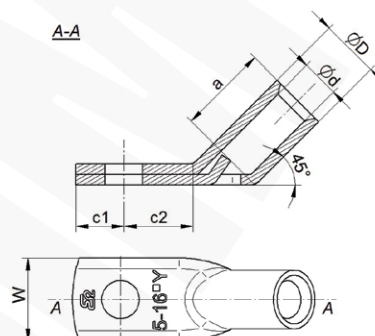
CERTIFICATES & STANDARDS

UL certificate	E475284
Design	standard

NOTE!

- sector-shaped conductors (sm) must be "rounded";
- use tools as for K45R terminals.

UL certificate - for up-to-date information, visit www.ergom.com



Type	Index Ergom	Cross-section, rm/sm [mm ²]	d	D	a	c1	c2	W	Screw hole	UL	Socket code no.	Lz/s	Lz/w	Quantity in package [pcs]	Weight [kg]
K45Ro 10/5 (100 PCS)	E11KM-01051100100	10	4,5	7,0	10	7,0	10,0	12,0	M5	-	7	1	1	100	0,66
K45Ro 10/6 (100 PCS)	E11KM-01051100200					7,5	10,0	12,0	M6						
K45Ro 10/8 (100 PCS)	E11KM-01051100300					9,0	13,0	15,0	M8						
K45Ro 10/10 (100 PCS)	E11KM-01051100400					11,0	15,0	17,0	M10						
K45Ro 10/12 (100 PCS)	E11KM-01051100500					12,0	15,0	19,0	M12						
K45Ro 16/5 (100 PCS)	E11KM-01051100600	16	5,5	8,5	13	7,0	10,0	12,0	M5	-	8	1	2	100	1,15
K45Ro 16/6 (100 PCS)	E11KM-01051100700					7,5	10,0	12,0	M6						
K45Ro 16/8 (100 PCS)	E11KM-01051100800					9,0	13,0	15,0	M8						
K45Ro 16/10 (100 PCS)	E11KM-01051100900					11,0	15,0	17,0	M10						
K45Ro 16/12 (100 PCS)	E11KM-01051101000					12,0	15,0	19,0	M12						
K45Ro 25/5 (100 PCS)	E11KM-01051101100	25	7,0	10,0	15	7,5	10,0	14,0	M5	√	10	1	2	100	1,31
K45Ro 25/6 (100 PCS)	E11KM-01051101200					7,5	10,0	14,0	M6						
K45Ro 25/8 (100 PCS)	E11KM-01051101300					9,0	13,0	16,0	M8						
K45Ro 25/10 (100 PCS)	E11KM-01051101400					11,0	15,0	18,0	M10						
K45Ro 25/12 (100 PCS)	E11KM-01051101500					12,0	15,0	19,0	M12						
K45Ro 25/14 (100 PCS)	E11KM-01051101600					14,0	18,0	21,0	M14						1,6
K45Ro 35/6 (100 PCS)	E11KM-01051101700	35	8,5	12,0	17	7,5	10,0		M6	√	12	1	2	100	1,55
K45Ro 35/8 (100 PCS)	E11KM-01051101800					9,0	13,0	18,0	M8						
K45Ro 35/10 (100 PCS)	E11KM-01051101900					11,0	15,0		M10						
K45Ro 35/12 (100 PCS)	E11KM-01051102000					12,0	15,0	20,0	M12						
K45Ro 35/14 (100 PCS)	E11KM-01051102100					14,0	18,0	21,0	M14						
K45Ro 35/16 (100 PCS)	E11KM-01051102200					16,0	18,0	26,0	M16						2,32

Type	Index Ergom	Cross-section, rm/sm [mm ²]	d	D	a	c1	c2	W	Screw hole	UL	Socket code no.	Lz/s	Lz/w	Quantity in package [pcs]	Weight [kg]
K45Ro 50/6 (100 PCS)	E11KM-01051102300	50	10,0	14,0	19	7,5	10,0		M6	√	14	1	2	100	2,38
K45Ro 50/8 (100 PCS)	E11KM-01051102400					9,0	13,0	20,0	M8						2,4
K45Ro 50/10 (100 PCS)	E11KM-01051102500					11,0	15,0		M10						2,6
K45Ro 50/12 (100 PCS)	E11KM-01051102600					12,0		23,0	M12						3,2
K45Ro 50/14 (100 PCS)	E11KM-01051102700					14,0	18,0		M14						3,4
K45Ro 50/16 (100 PCS)	E11KM-01051102800					16,0	28,0		M16						3,56
K45Ro 50/20 (100 PCS)	E11KM-01051102900					20,0	22,0	30,0	M20						3,24
K45Ro 70/6 (100 PCS)	E11KM-01051103000					7,5	10,0		M6						3,44
K45Ro 70/8 (100 PCS)	E11KM-01051103100	9,0	13,0		M8	3,6									
K45Ro 70/10 (100 PCS)	E11KM-01051103200	11,0	15,0		M10	3,7									
K45Ro 70/12 (100 PCS)	E11KM-01051103300	12,0	16,5	21	M12	√	16	1	2	100	4,3				
K45Ro 70/14 (100 PCS)	E11KM-01051103400	14,0			M14	4,6									
K45Ro 70/16 (100 PCS)	E11KM-01051103500	16,0	18,0	28,0	M16	4,8									
K45Ro 70/20 (100 PCS)	E11KM-01051103600	20,0	22,0	30,0	M20	4,4									
K45Ro 95/8 (50 PCS)	E11KM-01051103700	95	13,5	18,0	24	16,0			M8	√	17	1	2	50	3,2
K45Ro 95/10 (50 PCS)	E11KM-01051103800					12,0	17,0		M10						3,25
K45Ro 95/12 (50 PCS)	E11KM-01051103900					18,0	26,0		M12						3,24
K45Ro 95/14 (50 PCS)	E11KM-01051104000					20,0			M14						3,31
K45Ro 95/16 (50 PCS)	E11KM-01051104100					16,0	22,0	29,0	M16						3,31
K45Ro 95/20 (50 PCS)	E11KM-01051104200					20,0	24,0	35,0	M20						3,5
K45Ro 120/8 (50 PCS)	E11KM-01051104300	120	15,0	19,5	26	16,0	28,0		M8	√	19	1	2	50	3,7
K45Ro 120/10 (50 PCS)	E11KM-01051104400					12,0	17,0		M10						3,64
K45Ro 120/12 (50 PCS)	E11KM-01051104500					18,0	29,0		M12						3,9
K45Ro 120/14 (50 PCS)	E11KM-01051104600					20,0			M14						4,95
K45Ro 120/16 (50 PCS)	E11KM-01051104700					16,0	22,0		M16						4,56
K45Ro 120/20 (50 PCS)	E11KM-01051104800					20,0	24,0	35,0	M20						4,56
K45Ro 150/8 (50 PCS)	E11KM-01051104900	150	16,5	21,0	30	16,0			M8	√	20	1	2	50	4,52
K45Ro 150/10 (50 PCS)	E11KM-01051105000					12,0	17,0		M10						4,36
K45Ro 150/12 (50 PCS)	E11KM-01051105100					18,0	31,0		M12						4,46
K45Ro 150/14 (50 PCS)	E11KM-01051105200					20,0			M14						4,36
K45Ro 150/16 (50 PCS)	E11KM-01051105300					16,0	22,0		M16						4,6
K45Ro 150/20 (50 PCS)	E11KM-01051105400					20,0	24,0	36,0	M20						4,63
K45Ro 185/10 (50 PCS)	E11KM-01051105500	185	19,0	24,0	30	14,0			M10	√	23	2	4	50	5,35
K45Ro 185/12 (50 PCS)	E11KM-01051105600					14,0			M12						5,14
K45Ro 185/14 (50 PCS)	E11KM-01051105700					22,0	35,0		M14						6,3
K45Ro 185/16 (50 PCS)	E11KM-01051105800					16,0			M16						6,2
K45Ro 185/20 (50 PCS)	E11KM-01051105900					20,0	24,0	38,0	M20						6,15
K45Ro 240/10 (50 PCS)	E11KM-01051106000					240	21,0	26,0	38						14,0
K45Ro 240/12 (50 PCS)	E11KM-01051106100	14,0			M12					6,3					
K45Ro 240/14 (50 PCS)	E11KM-01051106200	22,0	38,0		M14					7,76					
K45Ro 240/16 (50 PCS)	E11KM-01051106300	16,0			M16					7,8					
K45Ro 240/20 (50 PCS)	E11KM-01051106400	20,0	24,0		M20					7,8					
K45Ro 300/12 (10 PCS)	E11KM-01051106600	14,0			M12					2,4					
K45Ro 300/16 (10 PCS)	E11KM-01051106700	300	24,0	30,0	45	16,0	24,0	43,0	M16	-	28	2	-	10	2,44
K45Ro 300/20 (10 PCS)	E11KM-01051106800	20,0			M20	2,44									

Lz/s - Number of crimping - wide, Lz/w - Number of crimping - narrow